

Direct VU HD

Handheld Monitor COFDM HD Diversity Receiver

The Direct VU HD is a COFDM (DVB-T compliant) diversity handheld receiver/monitor offering exceptional RF performance and durability, combined with true ease of operation and superb MPEG-2/MPEG-4 decoding. The unit displays COFDM video transmissions using a built-in internal 9 inch 16:9 format screen using bright, high resolution LCD screen. The display also features an easy-to-use menu-driven interface.

Much more than a COFDM handheld receiver, the Direct VU HD can send video over Ethernet to remote software or hardware decoders. This allows multiple remote viewers to monitor the same video simultaneously. An SDI output enables the user to view the incoming video on an external monitor if needed.

The Direct VU HD is designed with the end user in mind. The unit requires minimal setup to operate. For advanced functions such as changing frequency plans, AES decryption keys, or unit naming, an easy-to-use administration software package is included.

The administration software package also allows users to configure and store up to 16 custom preset configurations. The presets can store as little or as much information as the administrator wishes. These values can then be locked in place, providing simple and reliable operation. Access control ensures that users will not inadvertently corrupt production critical settings.

An easy to use OSD display helps the user navigate the local user interface. The OSD features receiver statistics such as signal strength, preset, modulation and remaining battery life. The OSD provides users with full confidence in the operation of the unit.



- C - COFDM
- M - Mobile
- D - Diversity
- R - Receiver

Unequaled value in a high quality COFDM receiver/monitor.

Key Features

- Dual input maximum ratio combining diversity receiver
- Unmatched adjacent channel performance
- Broadcast quality video
- Integrated 9 inch, high-brightness LCD monitor
- SD/HD MPEG-4 (H.264) and MPEG-2 auto detect decoding
- 16 user configurable resets
- Spectrum Viewer
- IP Streaming of MPEG TS
- Rich OSD featuring receiver statistics
- Web GUI

Applications

- Electronic News Gathering
- Confidence Monitoring
- Sporting Events
- Video Assist

Accessories and Options

- AES decryption
- Batteries and Battery Charger
- Anton Bauer or V-Clip
- Hard case
- Receive antennas
- AC to DC Converter

SPECIFICATIONS

RF Performance

Base Model Number	Frequency (GHz)	DC Power (W)
23VBDV	2.200 to 2.500	12
58DV	5.725 to 5.625	12

Tuning Step Size

- 250 kHz s or 1 MHz step size standard; others available upon request

Frequency stability

- ±10 ppm

Demodulation Modes

Modes are auto detected within modulation format (1, 2, or 3)

Modulation 1

- Modulation Formats: COFDM (DVB-T)
- Carriers: 2K
- Constellation: QPSK, 16 QAM
- Code Rate: 1/2, 2/3, 3/4, 5/6, 7/8
- Guard Interval: 1/32, 1/16, 1/8, 1/4
- Bandwidth: 6 MHz, 7 MHz, and 8 MHz

Diversity

- Channels: 2 input Maximum Ratio Combining

MPEG Decoder

Video

- Method: MPEG-4 Part 10/H.264
MPEG-2 auto detect
- Video Coding: AVC
- Video Output: Composite and SDI
- SD-SDI Output: ANSI/SMTE 259M
- HD-SDI Output: ANSI/SMTE 292M

Video Formats

- HD (4:2:0):

720p	23.98/24/50/59.94
1080i	25/29.97
1080p	29.97/24/25/23.98
1080psf	29.97/25/24/23.98
- SD:

NTSC	720 x 480
PAL	720 x 576

Audio

- Audio Coding: ISO/IEC 11172-3 (Layer I/II)
- Audio Sample Rate: 48 kHz
- Audio Channels: 2
- Audio Output: 2 1Vpk-pk single ended into 10 kΩ
- Embedded: SDI

- Speakers: 2
- Headphone: Standard headphone jack
- User Data: RS232 300-115k baud
UDP/TCP over Ethernet

System

Decryption (optional)

- AES 128/256bit (FIPS PUB 197)
- BCRYPT (1)

Ethernet

- Stream MPEG-TS over UDP/RTP
- RTSP
- Unicast and multicast
- Web control

Power Requirements

Input Range

- +9 to +28 VDC

Power Consumption

- See Table Above

Environmental

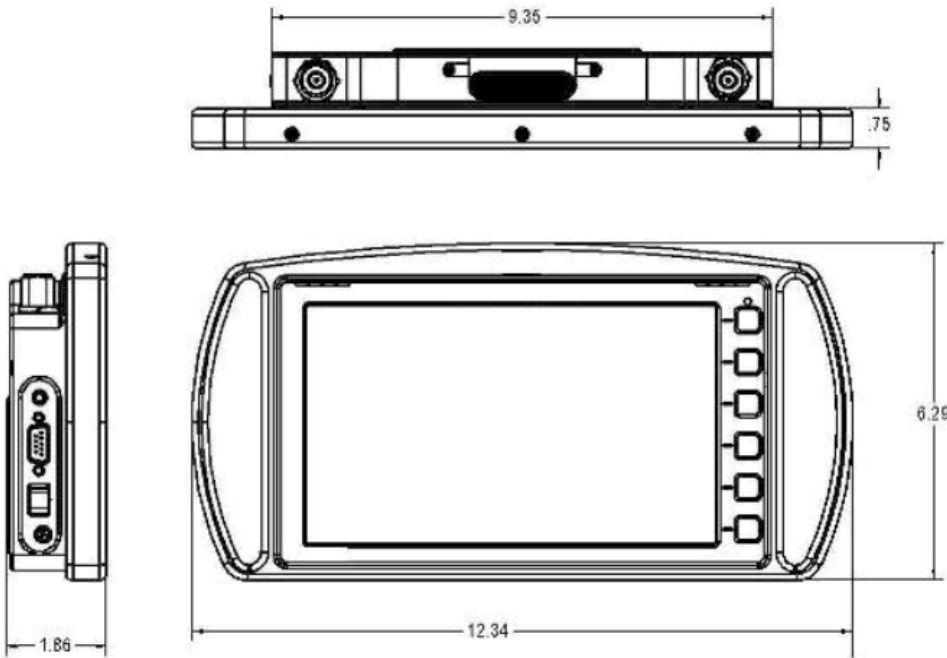
Temperature Range

- Full specification: -10° to +50°C ambient (-22° to 122°F)
- Storage: -40° to +80°C (-40° to 176°F)
- Humidity: 0 to 95% non-condensing

Physical

- | | | | |
|--|--|---|--|
| Size <ul style="list-style-type: none"> 12" W x 6.29" H x 1.86" D
(30.5 x 16 x 4.7 cm) | Volume <ul style="list-style-type: none"> 145 cubic inches
(1950 cubic cm) | Weight <ul style="list-style-type: none"> 2.5 pounds
(1.13 kilograms) | Control <ul style="list-style-type: none"> 6 button control
(Soft-Programmable) Remote RS232 Web GUI |
|--|--|---|--|

Outline Drawing



Connectors

These connectors are located inside the rear cover, and on the side panel.

Side Connectors

	Signal	Connector
Side	Power	2.5mm" power jack
	Power Switch	Toggle Switch
	Remote Control	RS-232 DB-9
	User Data	RS-232 DB-9
	Headphones	Standard Headphone Jack
	ASI	BNC



↑ DC POWER
 ↑ POWER SWITCH
 ↑ CONTROL /DATA
 ↑ HEADSET

Rear Connectors

	Signal	Connector
Rear	Ethernet/Remote	RJ-45
	Audio	2 RCA
	Composite	BNC
	SDI	BNC
	ASI	BNC



↑ ETHERNET
 ↑ AUDIO
 ↑ VIDEO
 ↑ SDI
 ↑ ASI
 ↑ SD CARD